

BNE45

# WASTE MANAGEMENT GUIDELINES

Waste Management Guidelines for New  
Developments and Conversion or Refurbishment  
of Existing Buildings

July 2023

# WASTE MANAGEMENT GUIDELINES

## CONTENTS

|   |    |
|---|----|
| <b>INTRODUCTION</b>                           |    |
| 1.1 Waste services.....                       | 1  |
| <b>INDIVIDUAL HOUSES</b>                      |    |
| 2.1 Internal storage of waste.....            | 2  |
| 2.2 External storage of wheeled bins.....     | 2  |
| 2.3 Collection of wheeled bins.....           | 3  |
| 2.4 Home composting.....                      | 4  |
| <b>HOUSES OF MULTIPLE OCCUPANCY AND FLATS</b> |    |
| 3.1 Internal storage of waste.....            | 4  |
| 3.2 External storage of wheeled bins.....     | 4  |
| 3.3 Bin capacity/number of bins.....          | 5  |
| 3.3 Glass.....                                | 5  |
| 3.4 Collection of wheeled bins.....           | 6  |
| 3.5 Composting of green waste.....            | 7  |
| <b>ROADWAYS AND VEHICLES</b>                  |    |
| 4.1 Vehicle dimensions.....                   | 8  |
| 4.2 Vehicle turning circles.....              | 9  |
| <b>APPENDICES</b>                             |    |
| 5.1 Check list for bin storage areas.....     | 10 |
| 5.2 Vehicle dimensions (detailed).....        | 12 |
| 5.3 Summary of containers.....                | 13 |

## 1. INTRODUCTION

This document is aimed at providing guidance to Architects, Developers, Landlords and Agents on Winchester City Council's requirements for managing domestic waste (refuse and recyclable material) in new, converted and refurbished developments.

It is important that suitable waste management facilities are provided for domestic waste in order to minimise environmental health risks. Design of such facilities must take into account storage space, accessibility for residents and collection operatives, and health and safety for all parties.

Note: The city council refuse and recycling collection service is reviewed on a regular basis and applicants are encouraged to consult with the Winchester City Council waste management team at pre application stage should there be questions arising on waste management planning.

### 1.1 Waste Services

Winchester City Council is responsible for the collection of waste from all domestic properties within the district.

The council provides the following collection services to households:

- fortnightly refuse
- fortnightly dry recycling
- fortnightly garden waste
- monthly glass (from October 2019)

This service is currently provided using separate wheeled bin containers for refuse and recyclable material and sacks for garden waste. Boxes / wheeled bins will be planned for glass.

The provision of an effective and efficient refuse and recycling service is a key council operation, and it is essential that the needs of this service are considered at the earliest design stage for developments.

## 2. INDIVIDUAL HOUSES

### 2.1 Internal storage of waste:

- To enable occupants to recycle their waste, developers should provide adequate internal storage, usually within the kitchen, for the separation of refuse and recyclable material into two separate containers, prior to the transfer of that material to the external wheeled bins. It is the householder’s responsibility to provide the necessary containers for internal storage.

The installation of in-sink food disposal units is encouraged to reduce the food waste presented for collection.

### 2.2 External storage of wheeled bins and garden waste bags:

- It is the responsibility of the householder, landlord or developer to provide two 240 litre bins. A black one for the containment of refuse and a green one for the containment of recyclable material. On request the city council provide one 90 litre garden waste bag with a maximum of an additional two being available through purchase.
- Containers (bins and garden waste bags) should be located within the boundary of each house, in an open-air position, shaded, away from windows and within a suitably designed structure or area able to accommodate the necessary number of containers for that household.
- There must be clearance of 150mm around each bin and the storage area must be a minimum height of 1,200mm. Bin storage areas should be located to create minimum nuisance to adjoining properties.

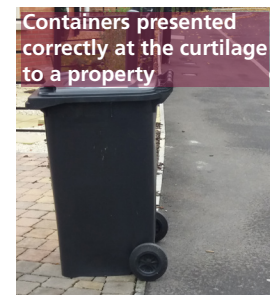
### 240 litre bin container dimensions:

| Capacity   | Height (h) | Height with lid open (h) | Depth (d) | Width (w) |
|------------|------------|--------------------------|-----------|-----------|
| 240 litres | 1,063mm    | 1,776mm                  | 713mm     | 575mm     |

- Residents should not have to carry their refuse and recyclable material a distance greater than 30m to their wheeled bin and should not have to wheel their bin a distance greater than 15m from the container storage area to the curtilage or kerbside for collection. Container storage areas should be clearly identified on plans.

### 2.3 Collection of wheeled bins and garden waste bags

- Residents are required to place their wheeled bin and garden waste bag at the kerbside in order for them to be emptied by the council’s contractor. Where there is no pavement the containers should be placed at the curtilage of their property, at a point which is accessible to the collection crew member and the collection vehicle. There should be no obstruction to the highway.
- Collection crew members are not expected to move wheeled bins a distance greater than 15m nor over surfaces which hinder their smooth passage, for example, steps, slopes greater than 1 in 12 and uneven surfaces. The collection point should be accessible to the size of collection vehicle that is used by Winchester City Council. More information can be found in Section four.



## 2.4 Home composting

In addition to encouraging recycling, the council requires that for developments with a rear garden, adequate space is provided for a home compost bin. The council does not provide home compost bins, these are available for residents to buy from reputable garden centres or D.I.Y outlets.

## 3. HOUSES OF MULTIPLE OCCUPANCY (HMOS) AND FLATS

### 3.1 Internal storage of waste

- To enable occupants to recycle their waste, developers should provide adequate internal storage, usually within the kitchen, for the separation of refuse and recyclable material into two separate containers, prior to the transfer of that material to the external wheeled bin. In some cases, Winchester City Council will provide clear plastic sacks for the containment of recyclable material, prior to the transfer of that material to the external wheeled bin or collection point.
- The council does not consider the use of internal waste disposal chutes to be an acceptable alternative to the use of wheeled bins because they do not enable the satisfactory separation of recyclable material to be achieved.
- The installation of in-sink food disposal units is encouraged to reduce the food waste presented for collection<sup>1</sup>

### 3.2 External storage of wheeled bins

- For HMOs and flats it will be necessary to provide communal bin storage area(s). For large developments, several bin storage areas may be appropriate. Communal bin storage areas must be designed as an integral part of the development and must be easily accessible for the dwellings that they serve. The siting and design of communal bin storage areas should also have regard to the impact of noise and smell on the occupiers of neighbouring properties, existing and proposed new properties. Appropriate signage should also be displayed to clearly identify the bin storage area(s).

- The bin storage area should be of an adequate size to accommodate the necessary number of bins for the dwellings that the area serves. There must be at least 150mm clearance around each bin; with a minimum 1.5m clearance required if 1,100 litre four-wheeled bins are to be positioned facing each other. This will allow access to each individual container and ensure that an individual bin can be removed from the area without the need to move other containers.

#### 1,100 Litre Bin Container Dimensions:

| Capacity     | Height (h) | Height with lid open (h) | Depth (d) | Width (w) |
|--------------|------------|--------------------------|-----------|-----------|
| 1,100 litres | 1,309mm    | 2,422mm                  | 1,113mm   | 1,371mm   |

- Open communal bin storage areas should be a minimum of 2m height. Communal bin storage areas with a roof should have sufficient height to allow the bin lid to be fully opened. Appropriate roofing and lighting should also be provided for communal bin storage areas, as well as provision for washing down and draining the floor into a system suitable for receiving a polluted effluent. If 1,100litre four-wheeled bins are going to be provided, door and alley widths should be at least 2m to allow safe manoeuvring. Communal bin storage areas should be clearly identified on plans. (See appendix 5.1 for checklist on constructing bin stores).

### 3.3 Bin capacity/number of bins

As a guide to determine the appropriate provision of waste containers for refuse and recycling refer to the table below.

| Number of dwellings | Number of refuse bins     | Number of recycling bins  | Bin capacity |
|---------------------|---------------------------|---------------------------|--------------|
| 1 to 5              | one per dwelling          | one per dwelling          | 240 litre    |
| 6 +                 | one bin per six dwellings | one bin per six dwellings | 1,100 litre  |

Example:

- For a development comprising of 48 flats, space for 16 x 1100 litre four-wheeled bins should be provided

Note:

Bins are ordinarily split 50/50 refuse and recycling with the additional bin in an uneven total being refuse.

A higher ratio of refuse bins to recycling bins may be advised for some developments. Please refer to waste management team for more information.

For developments of six or more dwellings only communal bins should be planned for with smaller communal bins such as the 660 litre available to meet capacity requirements.

The bin capacity is worked out based on a three bedroom dwelling. For smaller dwellings (one and two bedroom flats) capacity can ordinarily be reduced. Please refer to waste management team for more information.

### 3.3.1 Glass

For glass collection an allowance of 1 x 240 litre bin per six dwellings should be made.

## 3.4 Collection of Wheeled Bins

- The location of the bin storage area for HMOs and flats should permit safe manoeuvring and transfer of the containers to the collection vehicle and highway access that will enable the collection vehicle to park no more than 15m from the collection point if two-wheeled bins are used and 10m if four-wheeled bins are used. The collection crew shall not be expected to move containers over surfaces that will hinder their smooth passage between the bin storage area and the collection vehicle. Paths between bin storage areas and the collection vehicle should be free from kerbs and steps, not be inclined greater than 1 in 12 and have a minimum width of 2m. The collection point should be accessible to the size of collection vehicle that is used by Winchester City Council. More information can be found in Section four.

## 3.5 Composting of green waste

- Where practicable, arrangements should be made in the development of flats to facilitate the on-site composting of material from the maintenance of communal grassed areas and shrub planting.

### Garden waste bags

- Where on-site composting is not practical residents can use the council's garden waste service. The storage of bags needs to be in an area that is well ventilated (a designated dry outside area). The area for collection is to be no more than 15m from the collection vehicle and with the same clear access as detailed for bin collection.

## 4. ROADWAYS AND VEHICLES

- Roads providing access to buildings should have foundations and a hardwearing surface (including man-hole covers) capable of withstanding the maximum gross vehicle weight of 26 tonnes.
- Roads should have a minimum width of 5m and be arranged so that collection vehicles can continue mainly in a forward direction. If reversing is unavoidable, then the distance should not exceed 12m and consideration must be given to the provision of a turning facility that can accommodate the collection vehicle. For health and safety reasons, waste collection vehicles should never be required to reverse up or down slopes or ramps.
- Collection vehicles undertaking loading should be able to stop in a safe and legal place, not obstructing traffic, pedestrians or access. Measures must be included in road design to stop unauthorised parking of vehicles that would stop access by the waste collection vehicles and staff.
- Please note the council's collection vehicle will only travel along roads that have been constructed to Hampshire County Council's adoptable standards. Developers must provide written evidence that all roads have been constructed to a suitable standard if collection vehicle access is required. The developer will need to submit evidence in the form of a layout plan showing the typical Swept Path tracking movements for the right length refuse freighter, which can be obtained by contacting one of the Industry recognised design systems.



4.1 Vehicle dimensions

SPECIFICATION OF VEHICLE - For detailed vehicle specification see Appendix 5.2

Length



10.65m\*

Allow 11 meters\*

Width



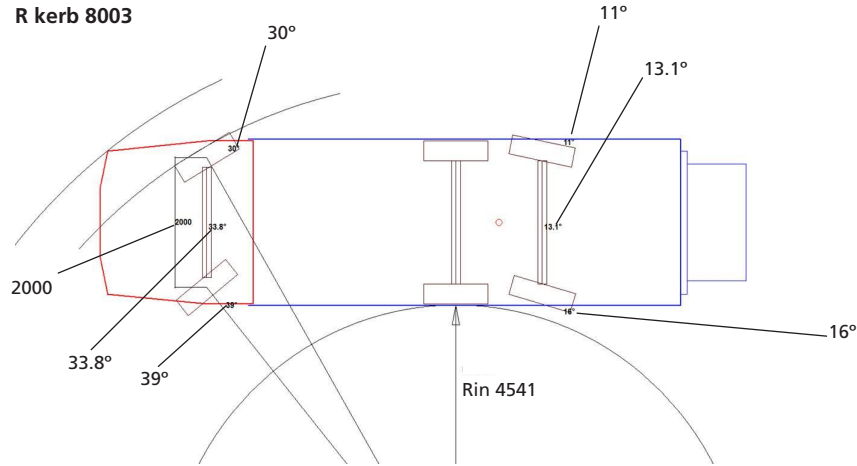
2.6m\*

Allow 2.8 meters\*

4.2 Vehicle turning circles

Worst case turning raddii

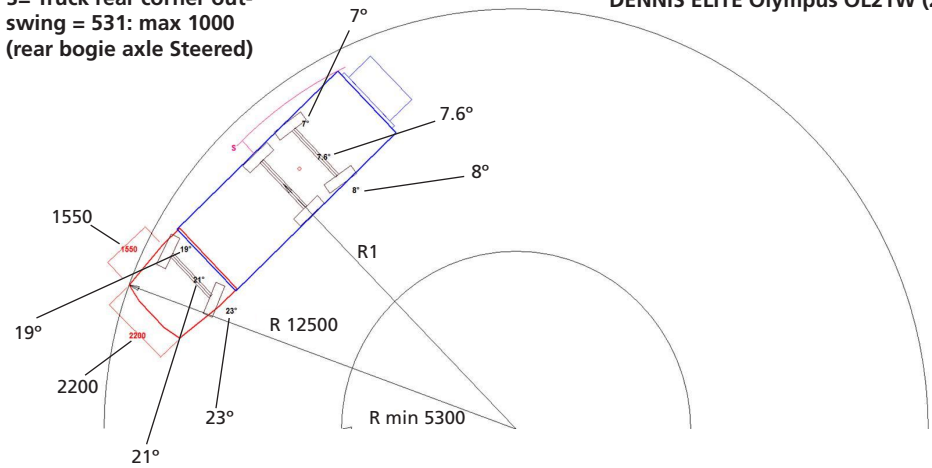
R out 8805  
R kerb 8003



Swept path analysis

S= Truck rear corner out-swing = 531: max 1000 (rear bogie axle Steered)

DENNIS ELITE 2- six X two Rear Steer  
EURO 5- WIDE TRUCK 5250 (3900+1350) +  
DENNIS ELITE Olympus OL21W (21.38m3)



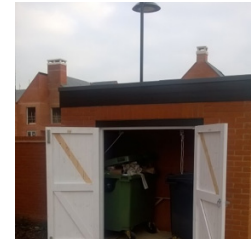
## 5. APPENDIX

### 5.1 Checklist for constructing bin storage areas

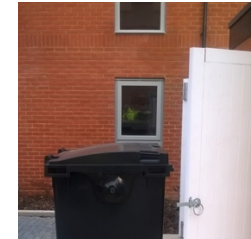
BS5906, the code of practice for waste management in buildings provides guidance on bin storage areas. A checklist summary is:

- Comply with all applicable legislation
- Provide sufficient storage space for the separate refuse and recycling containers and that allows both residents and collection crews to access containers without moving any other container
- Locate the refuse and recycling storage areas so as householders do not carry material a distance greater than 30m
- Easy and safe access for waste producers, including older persons and/or persons with disabilities
- Allow collection vehicle to park as close as practicable to the collection point with a maximum distance for moving bins from collection point to vehicle of 15m for two wheeled bins and 10m for four wheeled bins
- Easy and safe access for waste collection (for example at ground level, no kerbs, steps, uneven surfaces or slopes greater than 1 in 12)
- Free of obstructions for bin movement
- Safety from fire risk and smoke
- Robust construction
- Lighting, ventilation, sound insulation
- Water supply and drainage for cleaning
- Prevent entry from vermin
- Walls and doors should have bumper strips at bin height to prevent damage
- Secure doors with controlled access (ideally key pad not key)
- Have means of keeping doors safely open during collections
- Have appropriate signage and clearly labelled

### Examples of Communal Bin Store Construction Issues



- Store too small. (Serves 9 x two bedroom flats. Room for 2 x 1100 bins )
- No bumper strips
- No lighting



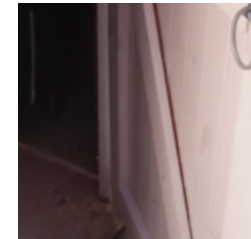
- Access too narrow. (Door not opening fully)
- No lock



- Floor damage, wheel catch/trip hazard



- Tap obstructing bin movement



- Poor door quality (not robust)



- Weak frame



- Weak hinges



- Weak opening latch



- No dropped kerbs and store by window

## 5.2 Vehicle dimensions

Elite 6 - 6x2RS Wide Track

Euro 6 SPECIFICATIONS



| Vehicle model                                 |   | OL-21W 6x2RS                        |
|---|---|-------------------------------------|
| Compaction body type - effective volume(s)    |   | Olympus 21W (21.4 m <sup>3</sup> )  |
| Elite chassis type                            |   | 6x2RS (Rear Steer) Wide Track       |
| GVW (Gross Vehicle Weight)                    |   | 26000                               |
| Front axle plated weight                      |   | 8000 (7100*)                        |
| Rear axle/bogie plated weight                 |   | 19000                               |
| Recycling box type                            |   | -                                   |
| Recycling box type (capacity m <sup>3</sup> ) |   | -                                   |
| V1  | Overall wheelbase                             | 5250                                |
| Turning circle - overall (metres)             |   | 16.9***                             |
| Vehicle unladen weight**                      |   | 13800                               |
| V2  | Overall length <sup>§</sup>                   | 9190                                |
|   | Overall length - tailgate raised <sup>§</sup> | 10270                               |
| V3  | Front axle to front of compaction body        | 650                                 |
| V4  | Front overhang                                | 1665                                |
|   | Front overhang - cab tilted                   | 3465                                |
| V5  | Rear overhang                                 | 2285                                |
|   | Rear overhang - tailgate raised               | 3145                                |
| V6  | Overall height                                | 3450                                |
|   | Overall height - tailgate raised              | 5100                                |
| V7  | Height at exhaust tip - nominal               | 3500                                |
| V8  | Cab roof height                               | 3130                                |
|   | Cab roof height - cab tilted                  | 3690                                |
| V9  | Cab floor height                              | 825 Driver side, 885 Passenger side |
| V10   | First cab step height from ground             | 495                                 |
| V11   | Rave rail height                              | 1050                                |
| V12   | Ground clearance at lowest part of vehicle    | 250                                 |
| V13   | Ground clearance - tailgate                   | 410                                 |
| V14   | Approach angle                                | 15.5°                               |
| V15   | Departure angle                               | 16°                                 |

NOTE: Unless otherwise stated, all dimensions are nominal, in mm and represent an unladen vehicle without a (!) lifting device and fitted with standard tyres; tyre deflection is not included. All specifications are subject to manufacturers tolerances. An allowance of +/- 2% should be made for all weights. All weights are in kgs and include oil and water, and on diesel fuelled vehicles, AdBlue and 50 litres of fuel. Additional equipment may alter dimensions and weights quoted.

(\* ) Optional front axle plated weight of 7100 kg with 295/80R22.5 tyres.



(\*\* ) Typical rear mounted lifting device equipment will add up to 1200 kg.

(\*\*\*) Turning circle shown is for worst case, fitment of optional tyres may reduce turning circle.

(§ ) Excludes front view mirror which adds approx. 230 mm

## 5.3 Summary of containers

Table showing container types (pictures) and sizes

| CONTAINERS  | CAPACITY (litres) | HEIGHT (mm)           | WIDTH (mm) | DEPTH (mm) | Notes   |
|---|-------------------|-----------------------|------------|------------|---|
| Two-wheeled bins<br>Plastic<br><br>240 Refuse                                    | 140               | 1050                  | 480        | 545        | When smaller capacity is sufficient   |
|   | 240               | 1063                  | 575        | 713        | Black – Standard refuse bin<br>Green – Standard recycling bin   |
| Four-wheeled bins<br>(for communal waste)<br>Plastic or Metal<br><br>1100 Refuse | 660               | 1222<br>(2000-lid up) | 1371       | 778        | For smaller communal properties   |
|   | 1100              | 1309<br>(2422-lid up) | 1371       | 1113       | Black – Standard communal refuse bin<br>Green – Standard communal recycling bin<br>Note: If colour not possible then bins need to be clearly labelled as either refuse or recycling |



## CONTACT US

Waste management team

Tel: 0300 300 0013

Email:  
[customerservice@winchester.gov.uk](mailto:customerservice@winchester.gov.uk)

[www.winchester.gov.uk](http://www.winchester.gov.uk)

